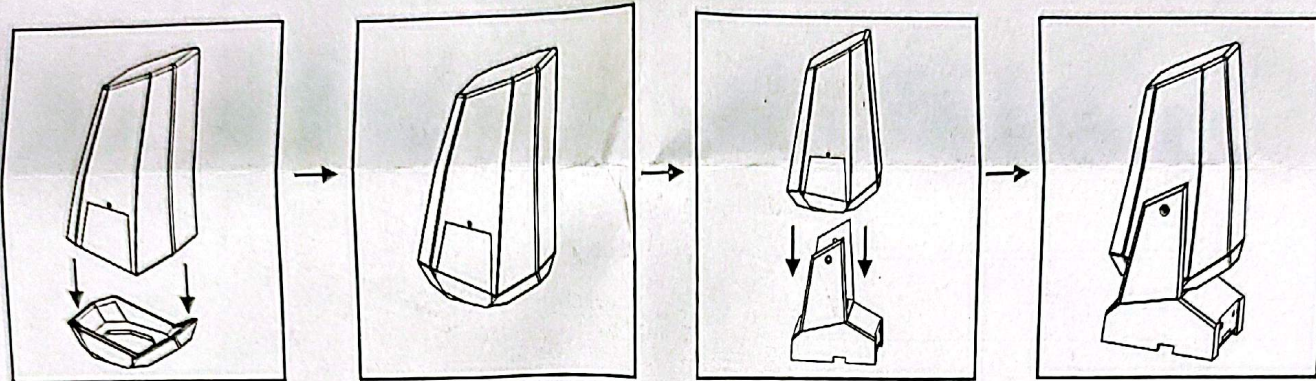


Instruction of GDO-WL01

Parameters:

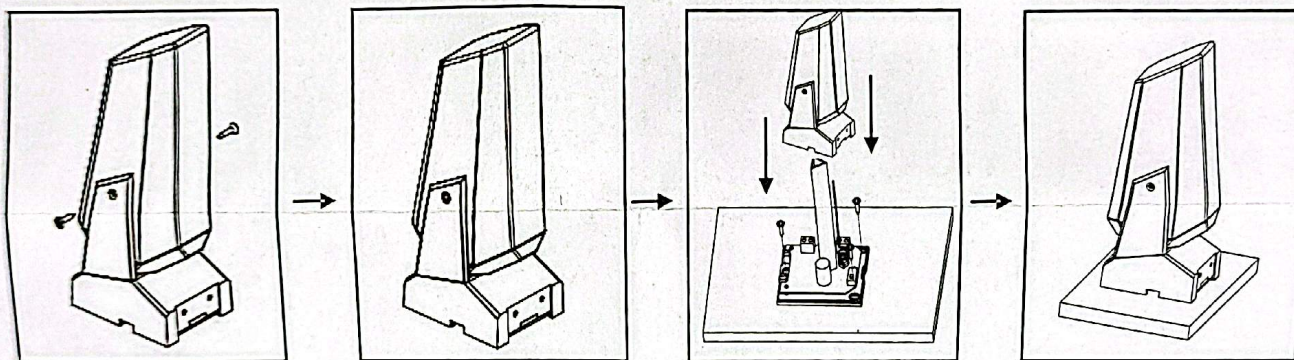
Work voltage: 24V DC/AC & 80V-250V AC

Installation 1(Horizontal plane):



1.Connect the transparent top cover&bottom cover

2.Connect the transparent cover and base



3.Fixed the transparent cover and base with screws

4.Fixed the with bottom base, connect with cover

Installation 2(Vertical plane):

1. Fix the base of the connector on the wall.(Fig.4-5)
2. Connecting the warning light with connector by shaft pin.(Fig.6-7)

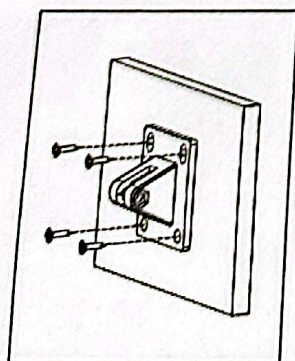


Figure 4

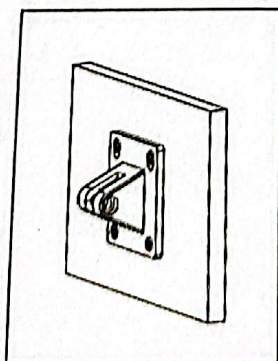


Figure 5

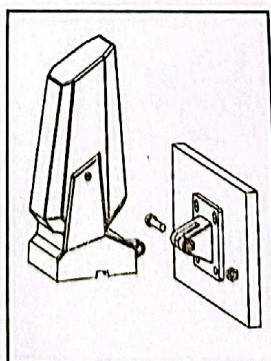


Figure 6

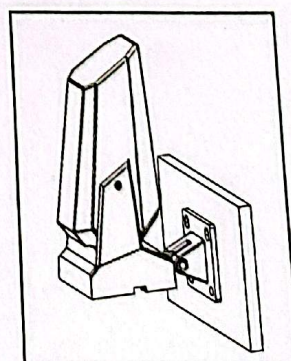


Figure 7

The connecting instruction:

1. Connect 24V AC/DC or 80V- 250V with the GND connector.
2. Push the switch up, the warning light will keep on.
3. Push the switch down, the warning light will flash.

